

Crane Scale



**General type:
MTC-S**



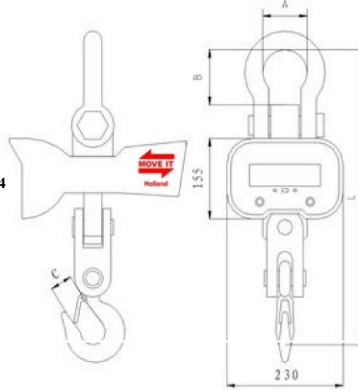
Feature

- » High-quality alloy steel load receptor.
- » Aluminum die-casting enclosure.
- » High-duty bow shackle.
- » High-duty eye hook.
- » High capacity rechargeable battery.
- » Infrared remote controller.

Function

- » Zero.
- » Low voltage alarm.
- » Overload alarm/record.
- » 3-point linearity correction.
- » Gravity acceleration value set.

- » Tare in/out.
- » Battery supervision
- » Digital calibration.
- » kg/lb switchable.



Specification

Accuracy Class	OIML III
Tare Range	100% F.S.
Zero Range	4% F.S.
Safe Overload	120% F.S.
Ultimate Overload	400% F.S.
Overload Alarm	100% F.S.+9e
Battery	6V/10Ah
Battery life	>100 hour
Adaptor	9V/1500mA
Temperature Range	-10°C to +40°C
Remote Distance	≥10m

Model	Max. cap (kg)	Min. cap (kg)	Division (kg)	Resolution (n)	A (mm)	B (mm)	C (mm)	L (mm)
MTC-S	1000	10	0.5	2000	58	83	30	420
	2000	20	1	2000	58	83	30	420
	3000	20	1	3000	73	107	33	480
	5000	40	2	2500	92	135	45	585
	10000	100	5	2000	94	145	60	770
	15000	100	5	3000	128	178	75	860
	20000	200	10	2000	135	250	75	950

	MTC-S1	MTC-S2	MTC-S3	MTC-S4
Metal button	✓	✓		
Touch button			✓	✓
Brightness select	✓		✓	
30mm LCD display		✓		✓
30mm LED	✓			
38mm LED			✓	

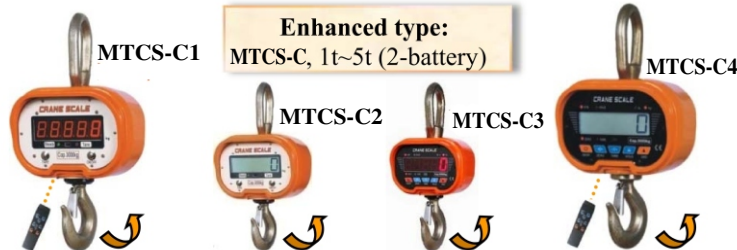
**Compact type:
MTCS-B, 1t~5t**



**Portable type:
MTCS-M**



**Enhanced type:
MTCS-C, 1t~5t (2-battery)**



Model	Max. cap (kg)	Min. cap (kg)	Division (kg)	Resolution (n)
MTCS-M	50	0.4	0.02	2500
	100	1	0.05	2000
	200	2	0.1	2000
	300	2	0.1	3000
	500	4	0.2	2500
	1000	10	0.5	3000

Mini type	Heat-proof type	Heavy type	Wireless type	Smart type	Economical type	Integrated type	Solid type
MTCS-L 30kg~300kg	MTCS-G1 1t~15t MTCS-G2 5t~30t	MTCS-Z 10t~50t	MTCS-F 1t~50t	MTCS-S 0.1~1t	MTCS-T MTCS-X Cap.: 1t ~ 5t	MTCS-Y 3t ~ 20t	MTCS-K Cap.: 10t