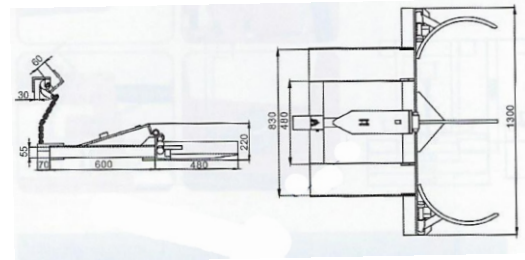
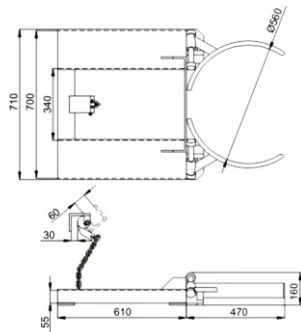
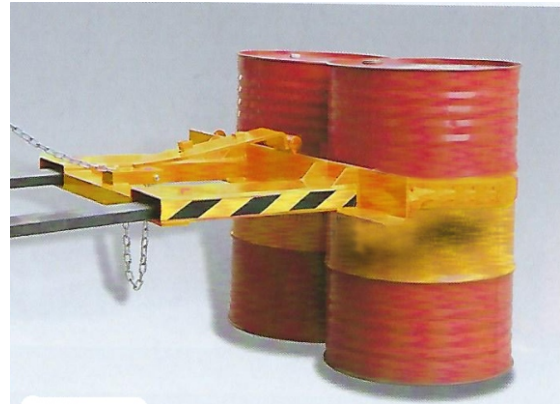


# Drum Handling Equipments

## Fork Mounted Drum Grabber

- ✧ Fork Mounted automatically.
- ✧ Heavy duty steel construction.
- ✧ Easily and quickly lift 30 gallon (  $\varnothing$  450\*500) steel drums or 55 gallon (  $\varnothing$  572\*900) steel drums without hydraulic or electric connections.



MODEL		MTDDT
Type		Single Drum
Load Capacity	kg	340
Net weight	kg	50

MODEL		MTDDT
Type		Double Drum
Load Capacity	kg	680
Net weight	kg	85