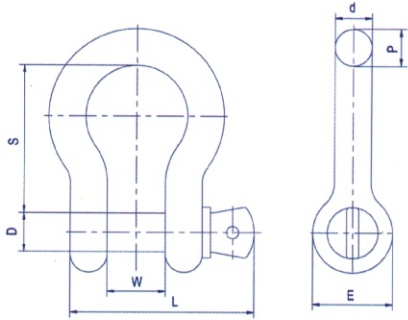


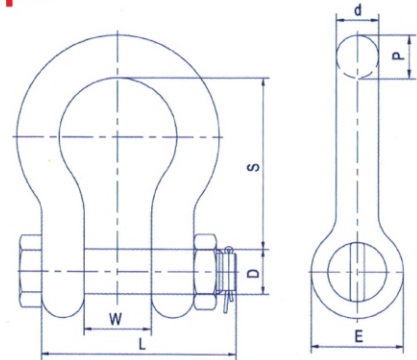
Bow Shackle With Screw Pin



Art. No	WLL	W	D	d	E	P	S	L	Self Weight
MT 05-1/4	0.5	12	8	6.5	15.5	----	29	36.5	0.05
MT 0.75-5/16	0.75	13.5	10	8	19	----	31	44.5	0.1
MT 1-3/8	1	17	12	9.5	23	----	36.5	52.5	0.13
MT 1.5-7/16	1.5	19	14	11	27	----	43	62	0.21
MT 2-1/2	2	20.5	16	13	30	----	48	70.5	0.3
MT 3.25-5/8	3.25	27	20	16	38	17.5	6.5	88	0.64
MT 4.75-3/4	4.75	32	22	19	46	20.5	71.5	102.5	1.09
MT 6.5-7/8	6.5	36.5	27	22.5	53	24.5	84	121	1.7
MT 8.5-1	8.5	43	30	25.5	60.5	27	95	139	2.5
MT 9.5-1 1/8	9.5	46	33	29.5	68.5	32	108	154	3.79
MT 12-1 1/4	12	51.5	36	33	76	35	119	170.5	4.89
MT 13.5-1 3/8	13.5	57	39	36	84	38	133.5	188.5	7.04
MT 17-1 1/2	17	60.5	42	39	92	41	146	201	8.35
MT 25-1 3/4	25	73	52	47	106.5	57	178	244	13.72
MT 35-2	35	82.5	60	53	122	61	197	275	20.33
MT 55-2 1/2	55	105	70	69	144.5	79.5	267	346	40.92



Bow Shackle Bolt Type



Art. No	WLL	W	D	d	E	P	S	L	Self Weight
MT 05-1/4	0.5	12	8	6.5	15.5	----	29	37	0.05
MT 0.75-5/16	0.75	13.5	10	8	19	----	31	45	0.10
MT 1-3/8	1	17	12	9.5	23	----	36.5	54	0.15
MT 1.5-7/16	1.5	19	14	11	27	----	43	62	0.22
MT 2-1/2	2	20.5	16	13	30	----	48	71.5	0.36
MT 3.25-5/8	3.25	27	20	16	38	17.5	6.5	89	0.76
MT 4.75-3/4	4.75	32	22	19	46	20.5	71.5	105	1.23
MT 6.5-7/8	6.5	36.5	27	22.5	53	24.5	84	121	1.79
MT 8.5-1	8.5	43	30	25.5	60.5	27	95	136.5	2.57
MT 9.5-1 1/8	9.5	46	33	29	68.5	32	108	149.5	3.75
MT 12-1 1/4	12	51.5	36	32	76	35	119	164.5	5.31
MT 13.5-1 3/8	13.5	57	39	35	84	38	133.5	179	7.18
MT 17-1 1/2	17	60.5	42	38	92	41	146	194.5	9.43
MT 25-1 3/4	25	73	52	44.5	106.5	57	178	234	15.4
MT 35-2	35	82.5	58	51	122	61	197	262.5	23.7
MT 55-2 1/2	55	105	70	66.5	144.5	79.5	267	339	44.6
MT 85-3	85	127	85	76	165	92	330	394	70